



DELTA®

WIRING INSTRUCTIONS JEEP® SKYBAR™



Read through these instructions completely before beginning installation. Also verify all of the components listed in the contents list below are included before drilling.

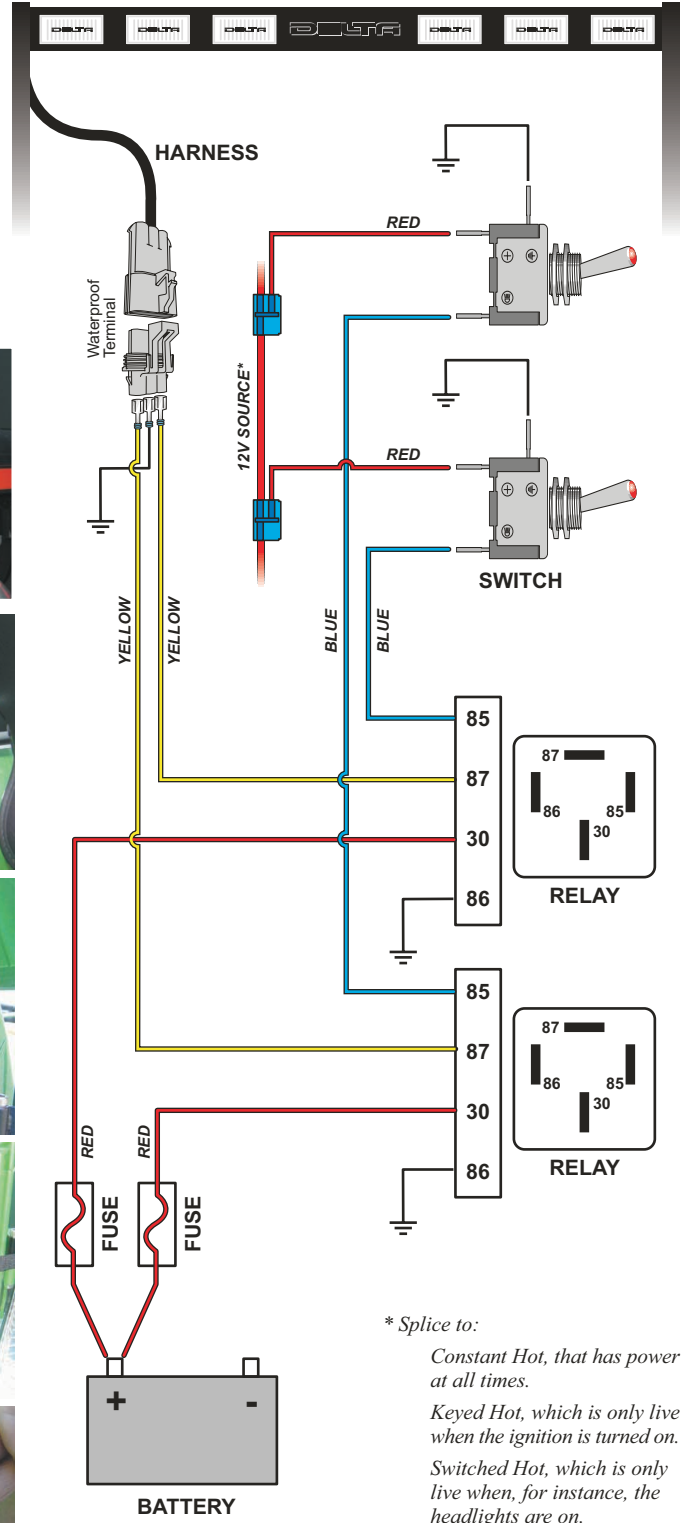
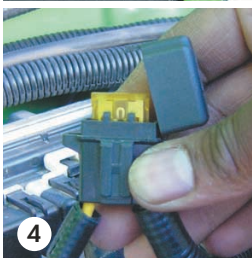
Mount Bar

1. Remove the two upper bolts on both sides of the windshield hinges as pictured.
2. Using the supplied (4) 5/16" x 1 1/4" bolts, mount both arms of the SkyBar™.
3. Mount the light bar between the two arms using the four (4) 1/4" x 1" supplied screws.



Install Wiring

1. Remove the passenger side visor. (Pic #1)
2. Remove the center upper console and the passenger side quarter trim. (Pic #2)
3. Drill a 1/2" hole in the body near the outside upper corner surrounding the windshield (passenger side) in the proximity of the terminal (plug) leading from the SkyBar.
4. Drill a 1/2" size hole in the firewall from inside the cab area on the passenger side, making sure not to damage anything inside the engine compartment. (Pic #3)
5. Remove the fuse from the fuse holder in the harness until final testing. (Pic #4)
6. Connect the (2) red wires leading from the fuse holder to the positive (+) terminal on the battery. (Pic #5)
7. Mount the relay, prongs facing down, to the support bar inside the engine compartment that runs from the grill to the firewall. (Pic #6)
8. Ground the two black wire leads from the supplied wiring harness to the body of the Jeep inside the engine compartment by using the supplied self-tapping screws (2 ea.).
9. Run the two blue wires, one black wire, and two yellow wires from the engine compartment through the new hole in the firewall. (Pic #7)
10. Push the supplied round rubber grommet all the way through the firewall hole and continue pulling the wires through.
11. Pull the second grommet halfway through the hole and install in the firewall hole.



* Splice to:

Constant Hot, that has power at all times.

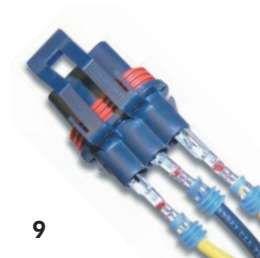
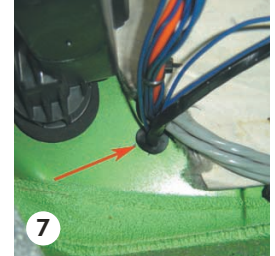
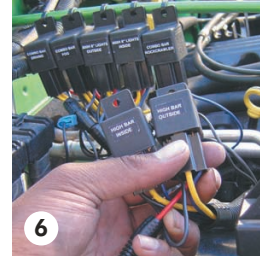
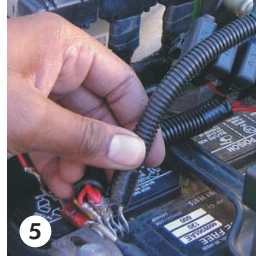
Keyed Hot, which is only live when the ignition is turned on.

Switched Hot, which is only live when, for instance, the headlights are on.



JEEP® SKYBAR™ WIRING INSTRUCTIONS (continued)

12. Run the two blue wires to the location where the two switches will be mounted. (Pic #8)
13. Run the one black and two yellow wires under the dash and up to the hole that was drilled near the windshield. (Be sure not to pinch any wires when reinstalling trim.)
14. Push the three (3) wires with the grommet through hole that was drilled into the windshield and push the terminals into the connector body as follows (pic #9):
A-Yellow, B-Black, C-Yellow
15. Connect the two (2) blue wires to the terminal on each of the switches with the positive \oplus logo and the other end to an existing wire with a constant 12V source (or a switched 12V source such as the headlight switch) by using the supplied blue splice tap connectors.
16. Connect the two (2) black wire leads to the terminal on each of the switches marked with the ground logo \ominus and ground the other end to a metal surface inside of the dash by using two supplied self-tapping screws.
17. Mount both switches and connect the blue wires to the terminal on the switches marked with the light logo \odot .
18. Plug in the light bar and reinstall the fuses in the fuse holders.
19. Test your lights. Switches will enable operation of 2, 4, or all 6 lights at a time.



Contents:

- (1) ea. Delta SkyBar™ Body w/Pre-Installed Lights & Harness
- (1) ea. Delta SkyBar™ Left (Driver Side) Mounting Arm
- (1) ea. Delta SkyBar™ Right (Passenger Side) Mounting Arm
- (4) ea. 5/16" x 1 1/4" bolts
- (4) ea. 1/4" x 1" screws
- (1) ea. Pre-Terminated Wiring Harness
- (2) ea. Illuminated Switches
- (2) ea. Splice Tap Connectors
- (2) ea. 3" Red Wires
- (2) ea. 3" Black Wires
- (1) ea. Female Connector Body
- (2) ea. Grommets
- (2) ea. Self-tapping Screws

SAFETY PRECAUTIONS:

Disconnect the battery when working on electrical components to avoid shorting out expensive computer chips, ruining your new lights or melting the wires you have in your hands.

When running wires, follow factory wiring looms when possible. Especially when pulling through the firewall. Wires through a freshly drilled hole in the firewall, or any unprotected passage through sharp metal, will eventually know its way through the plastic coating. If you cannot follow a wiring loom buy a rubber grommet or seal the wire into the hole with silicone caulk.



DELTA

DELTA JEEP ® SkyBar™ for JEEP Wrangler JK/TJ 1997 - 2008 P/N 01-9570-6BX INSTALLATION INSTRUCTION SUPPLAMENT

1. This SkyBar comes with universal billet Arms and billet Cross Bar Spacers to fit new JK Jeep Wrangler 2007-2008, as well as earlier TJ models.
2. The lower portion of the billet arm has 3 holes to accommodate either JK or TJ. Plug unused hole using plastic plug. (provided)
3. Using a rubber mallet drive the plug in, so it is flush with arm's exterior surface. Cut off the excess plastic plug on the backside of each arm. (see photo)
4. This SkyBar is equipped with 2 billet spacers to add to each side of the cross bar when installing on Wrangler JK model. (see photo)



5. Here is an optional way to connect the SkyBar with the harness without having to drill the vehicle's body to run the wires. (see photo). This step replaces step #3 in the attached Wiring Instruction for TJ's.
6. The wires leading from the waterproof connector on the SkyBar can easily be routed between door jam. (see photo)

HAPPY FOUR WHEELING!

DELTA TECH INDUSTRIES, LLC - Placentia, CA 92870, U.S.A.

Web: www.deltalights.com E-mail: sales@deltatechindustries.com



MADE IN USA
EUROPEAN OPTICS